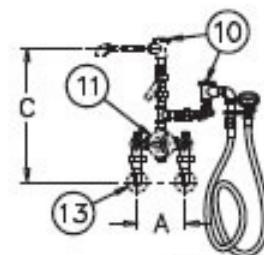


Note: Electrical requirements are 8 Amps / 115 Volts/ 60Hz/ 3 Pole GFI Receptacle.

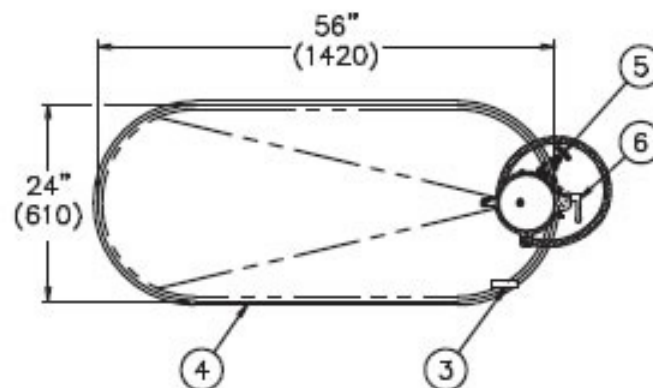
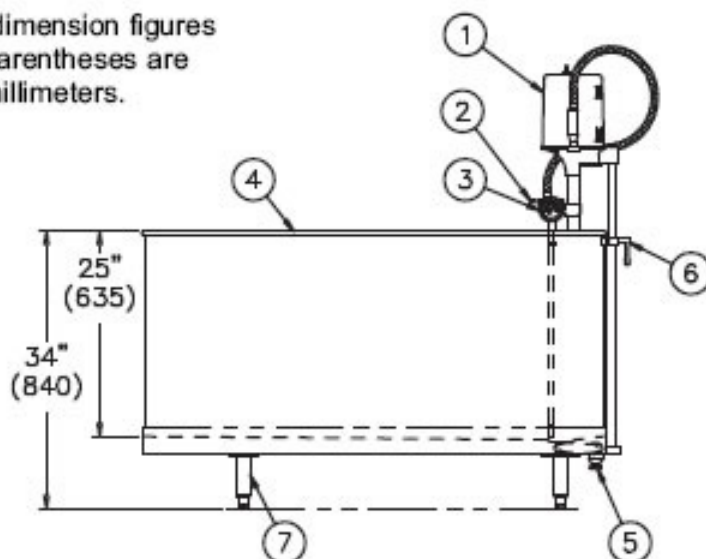


VALVE	INLETS	OUTLET	DIM A	DIM B	DIM C
MXT1 (15 GPM)	1/2" NPT	1/2" NPT	8-1/2" (215)	13-3/4" (350)	18" (455)
MXT2 (25 GPM)	3/4" NPT	3/4" NPT	9-1/2" (240)	13-1/2" (345)	17" (430)



OPTIONAL
MXWH

All dimension figures
in parentheses are
in millimeters.



STATIONARY S-110-SL SERIES WHIRLPOOL

NOTES:

- | | |
|-------------------------------|---------------------------------------|
| 1. 1/2 hp Jet Pump Motor. | 5. Auxiliary Drain Valve. |
| 2. Variable Pressure Control. | 6. Turbine Raising & Lowering Device. |
| 3. Thermometer | 7. Adjustable Stainless Steel Legs. |
| 4. Stainless Steel Tank. | |