

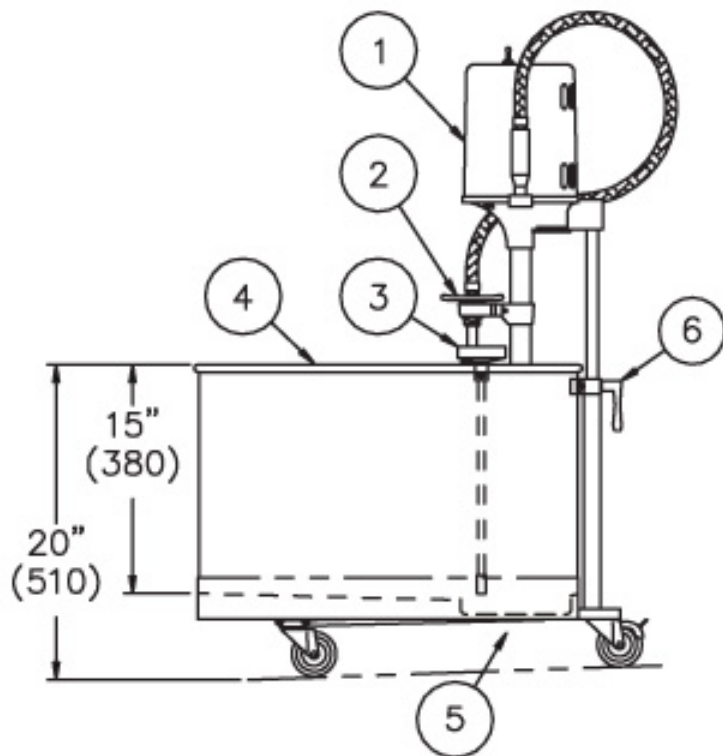
**ELECTRIC REQUIREMENTS:**

Amps: 8

Volts: 115

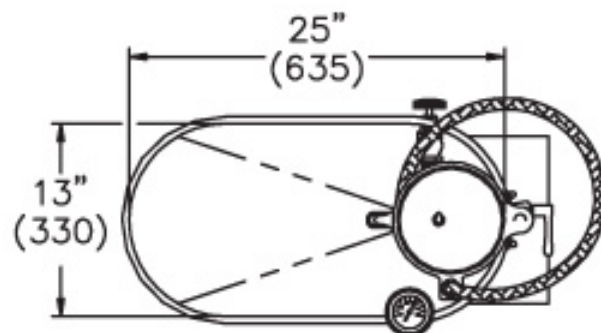
Hertz: 60

3 Pole GFI Receptacle



**NOTES:**

1. 1/2 hp Jet Pump Motor
2. Variable Pressure Control
3. Thermometer
4. Stainless Steel Tank
5. Sump
6. Turbine Raising & Lowering Device



Whitehall Dakon DS-2514 Mobile Whirlpool with Sump