

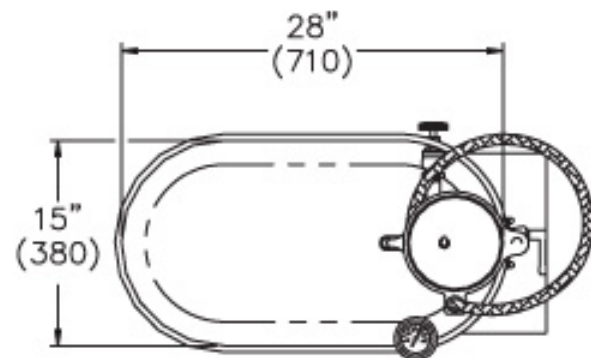
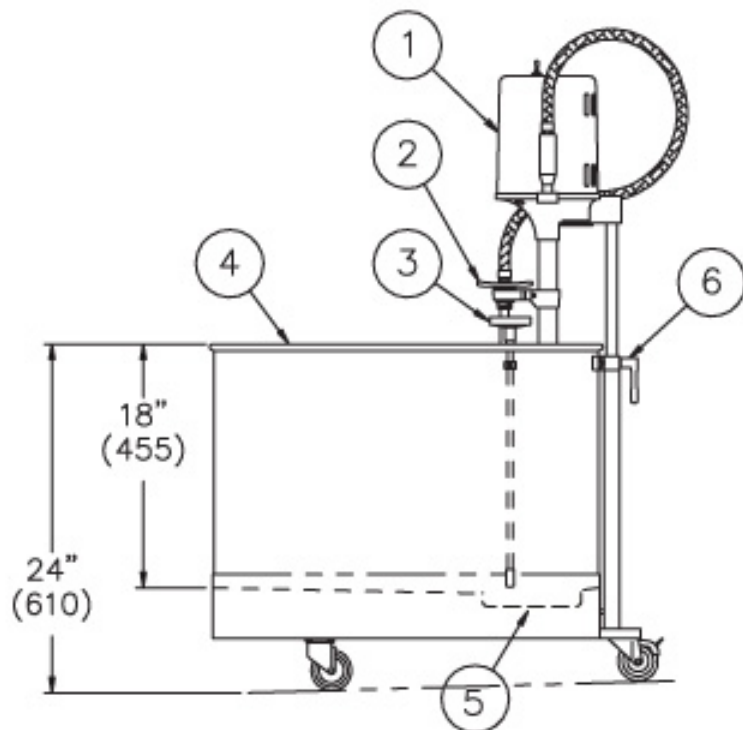
ELECTRIC REQUIREMENTS:

Amps: 8
Volts: 115
Hertz: 60
3 Pole GFI Receptacle



NOTES:

1. 1/2 hp Jet Pump Motor
2. Variable Pressure Control
3. Thermometer
4. Stainless Steel Tank
5. Sump
6. Turbine Raising & Lowering Device



Whitehall Dakon DS-2818 Mobile Whirlpool with Sump

NOTE: NEW DIMENSIONS (2008)