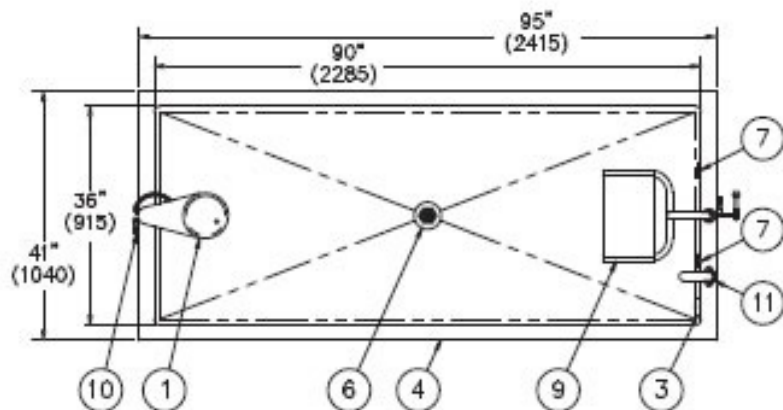
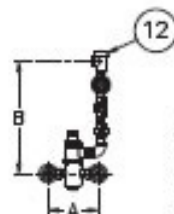
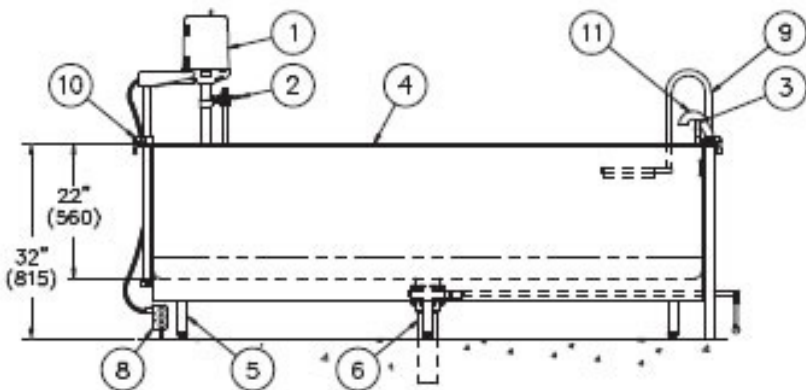


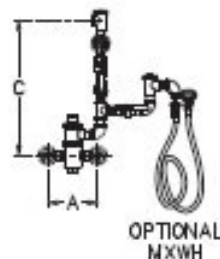
Note: Electrical requirements are 8 Amps / 115 Volts/ 60Hz/ 3 Pole GFI Receptacle.



| VALVE | INLETS | OUTLET | DIM A | DIM B | DIM C |
|-------------------|------------|------------|------------------|------------------|------------------|
| MXT3 (45 GPM) | 3/4" NPT | 1" NPT | 10" (255) | 17-3/4" (450) | 22-1/4" (565) |
| MXT4 (80 GPM) | 1" NPT | 1-1/4" NPT | 11" (280) | 20-1/2" (520) | 24-3/4" (630) |
| MXT5 (125 GPM) | 1-1/2" NPT | 1-1/2" NPT | 12-3/4" (325) | 21" (535) | 25-1/2" (645) |



All dimension figures in parentheses are in millimeters.



OPTIONAL
MXWH

STATIONARY F-260-S IMMERSION TANK

NOTES:

- | | | |
|--------------------------------------|-----------------------------------|---|
| 1. 1/2 hp Jet Pump Motor. | 6. 3" Drain Valve Assembly. | 10. Turbine Raising & Lowering Device. |
| 2. Variable Pressure Control. | 7. Overflow Assemblies (2). | 11. Filler Spout w/ 1-1/2" O.D. Tube Assembly. |
| 3. Thermometer. | 8. GFI Receptacle by Others. | 12. Optional Mixing Valve Shown for Reference Only. |
| 4. Stainless Steel Tank. | 9. Adjustable Head Rest Assembly. | |
| 5. Adjustable Supporting Steel Legs. | | |