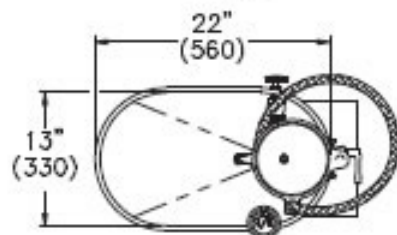
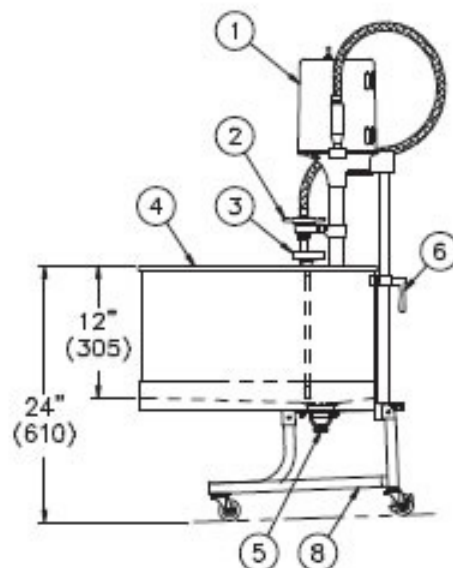
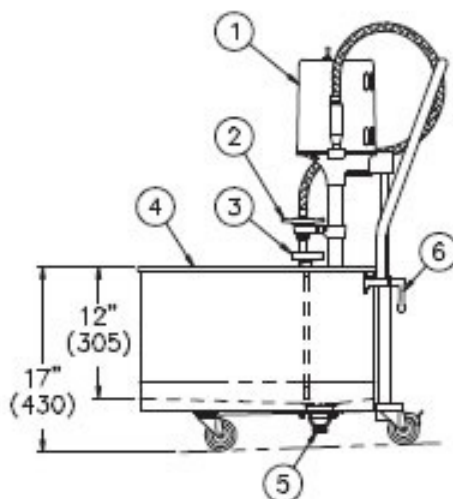
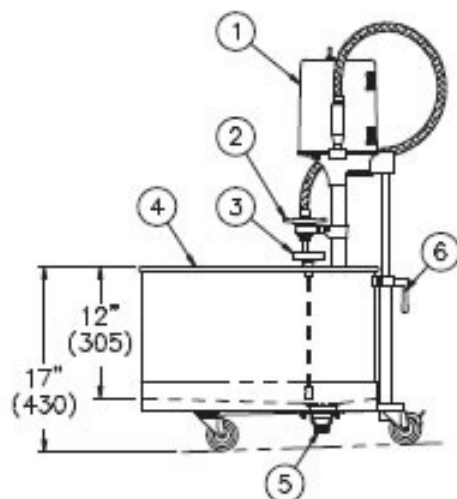


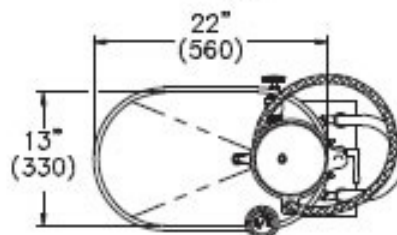
**Note: Electrical requirements are 8 Amps / 115 Volts/ 60Hz/ 3 Pole GFI Receptacle.**



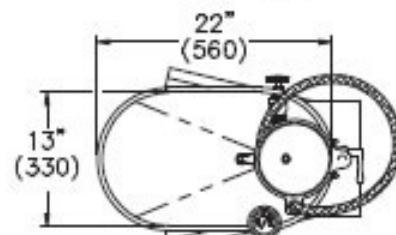
All dimension figures in parentheses are in millimeters.



MODEL P-10-M



MODEL P-10-MH



MODEL P-10-MU

MOBILE P-10-M SERIES WHIRLPOOLS

NOTES:

1. 1/2 hp Jet Pump Motor
2. Variable Pressure Control.
3. Thermometer.
4. Stainless Steel Tank.

5. Auxiliary Drain Valve.
6. Turbine Raising & Lowering Device.
7. Optional -MH Handle.
8. Optional -MU Undercarriage.