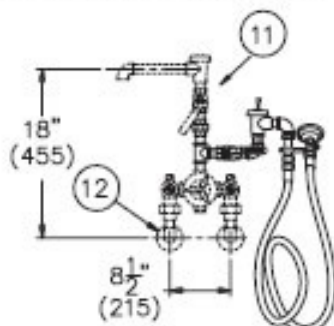
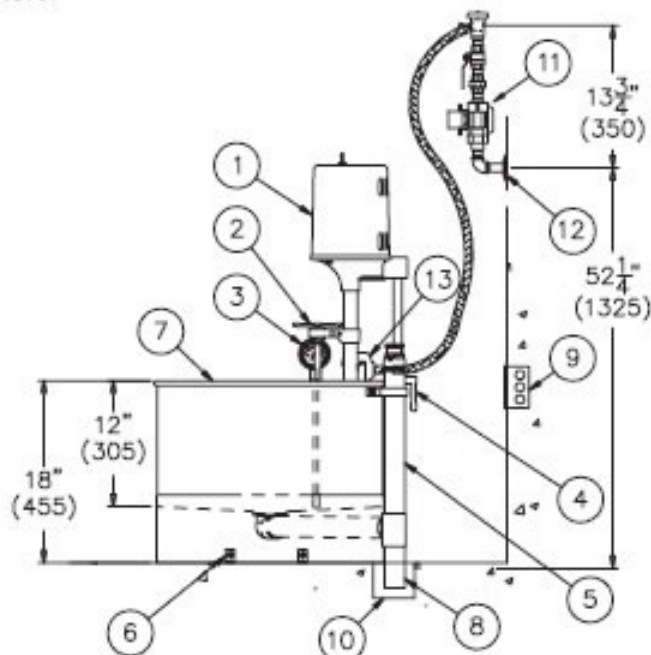


Note: Electrical requirements are 8 Amps / 115 Volts/ 60Hz/ 3 Pole GFI Receptacle.

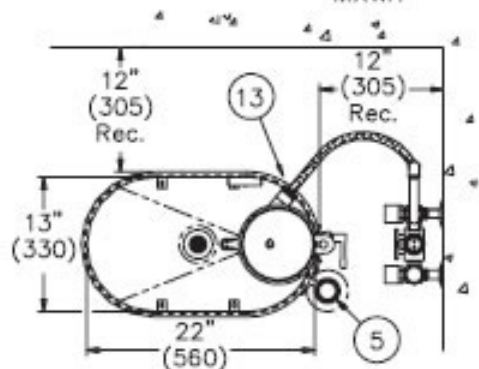


All dimension figures in parentheses are in millimeters.

VALVE	INLETS	OUTLET
MXT1 (15 GPM)	1/2" NPT	1/2" NPT



OPTIONAL
MXWH



STATIONARY P-10-S SERIES WHIRLPOOL

NOTES:

- | | | |
|---|-------------------------------------|---|
| 1. 1/2 hp Jet Pump Motor. | 6. "L" Brackets -Four Each. | 11. Optional Thermostatic Mixing Valve with Vacuum Breaker. |
| 2. Variable Pressure Control. | 7. Stainless Steel Tank. | 12. H & C Water Inlets by Others. |
| 3. Thermometer. | 8. 2" O.D. x 5" Tail Piece. | 13. Filler Spout. |
| 4. Turbine Raising & Lowering Device. | 9. 3 Pole GFI Receptacle by Others. | |
| 5. Combination Drain & Overflow Assembly. | 10. Floor Drain by Others. | |