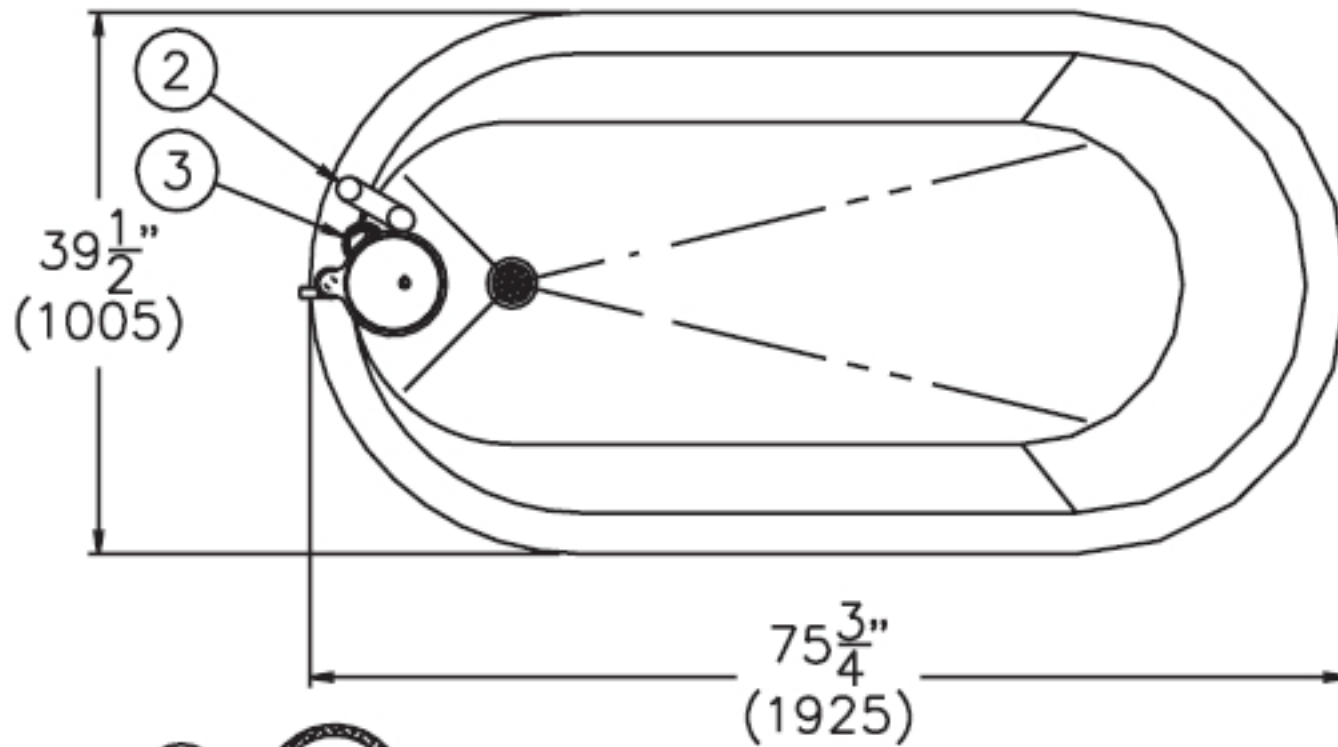


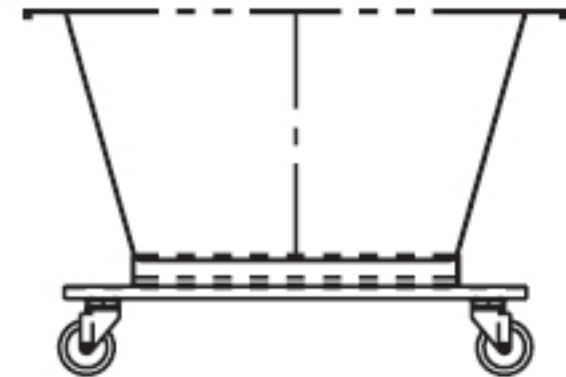
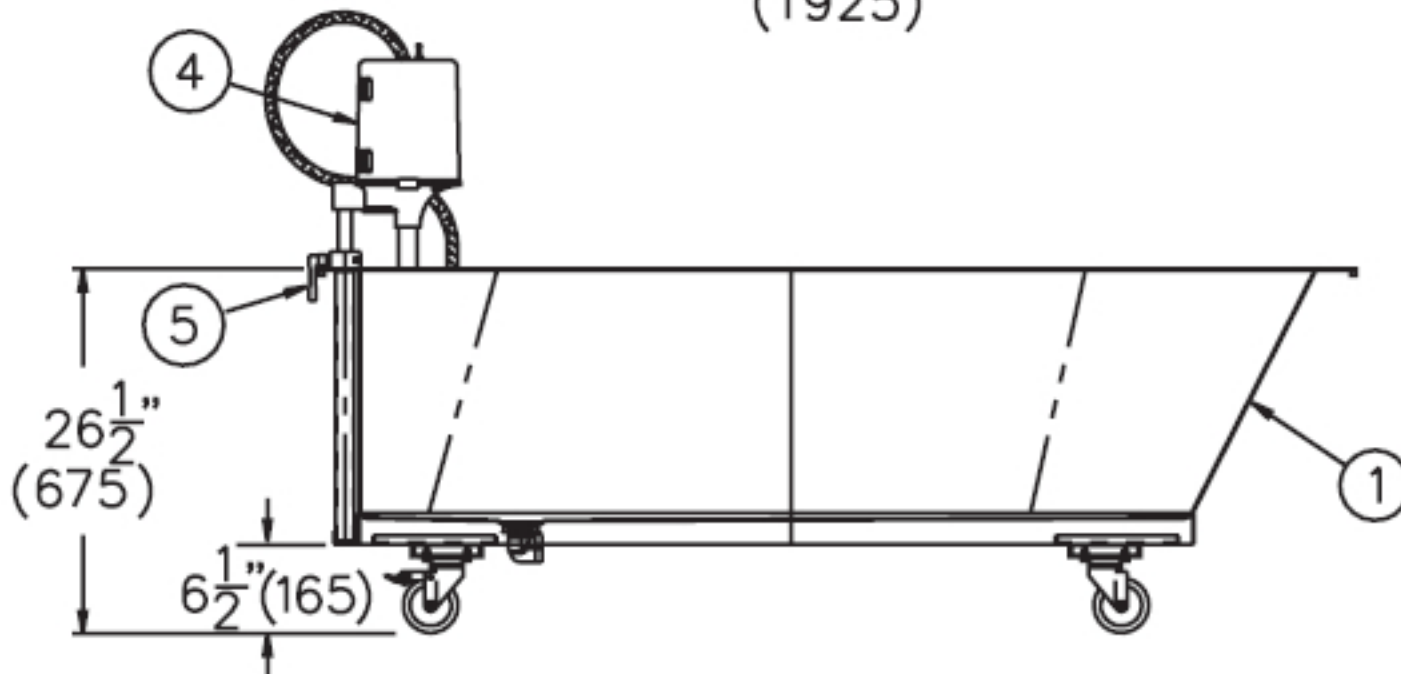
Note: Electrical requirements are 8 Amps / 115 Volts/ 60Hz/ 3 Pole GFI Receptacle.



All dimension figures in parentheses are in millimeters.

NOTES:

1. Slant Back Whirlpool
2. Filler Spout
3. Thermometer.
4. 1/2 HP Pump Motor.
5. Turbine Raising & Lowering Device.



SLANT BACK MOBILE WHIRLPOOL SB-100-M