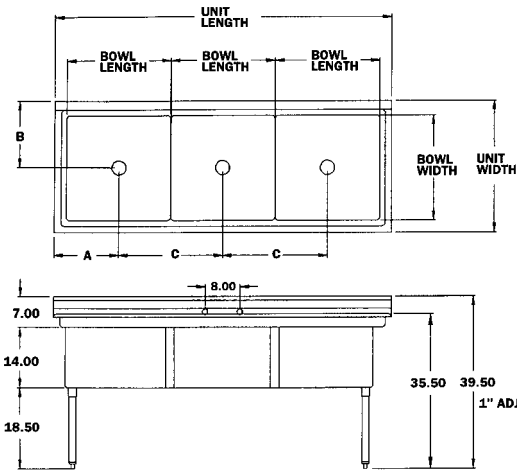
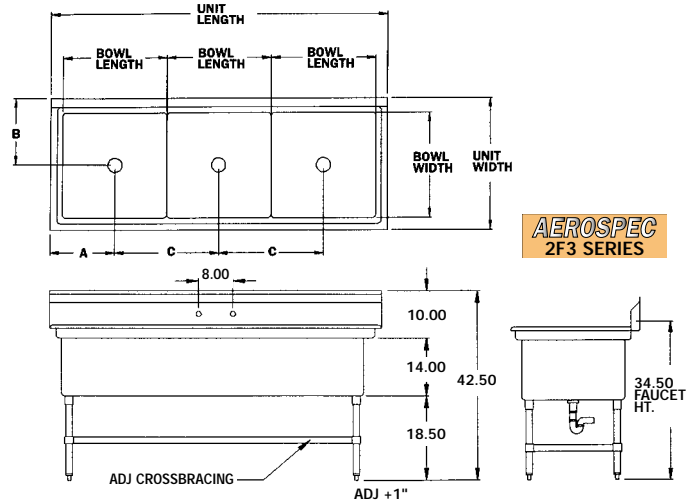


■ Supplied with stainless steel drain basket and strainer.



**ECONOMY
MF3 SERIES**



**AEROSPEC
2F3 SERIES**

BOWL Width	BOWL Length	UNIT Width	UNIT Length	A Drain	B Drain	C Drain	ECONOMY MF3 Model #	DELUX 3F3 Model #	AEROSPEC 2F3 Model #	Ship Weight	Cubic Feet	Sets, Faucet Holes
------------	-------------	------------	-------------	---------	---------	---------	---------------------	-------------------	----------------------	-------------	------------	--------------------

18" WIDE

18	14	24	47.5	9.75	12.25	14.0	MF3-1814	3F3-1814	2F3-1814	85	14	ONE
18	16	24	53.5	10.75	12.25	16.0	MF3-1816	3F3-1816	2F3-1816	99	16	ONE
18	18	24	59.5	11.75	12.25	18.0	MF3-1818	3F3-1818	2F3-1818	110	17	ONE
18	20	24	65.5	12.75	12.25	20.0	MF3-1820	3F3-1820	2F3-1820	122	19	TWO
18	24	24	77.5	14.75	12.25	24.0	MF3-1824	3F3-1824	2F3-1824	134	23	TWO

21" WIDE

21	14	27	47.5	9.75	13.75	14.0	MF3-2114	3F3-2114	2F3-2114	99	16	ONE
21	16	27	53.5	10.75	13.75	16.0	MF3-2116	3F3-2116	2F3-2116	103	18	ONE
21	18	27	59.5	11.75	13.75	18.0	MF3-2118	3F3-2118	2F3-2118	114	20	ONE
21	20	27	65.5	12.75	13.75	20.0	MF3-2120	3F3-2120	2F3-2120	126	21	TWO
21	24	27	77.5	14.75	13.75	24.0	MF3-2124	3F3-2124	2F3-2124	138	25	TWO

24" WIDE

24	14	30	47.5	9.75	15.25	14.0	MF3-2414	3F3-2414	2F3-2414	101	17	ONE
24	16	30	53.5	10.75	15.25	16.0	MF3-2416	3F3-2416	2F3-2416	113	20	ONE
24	18	30	59.5	11.75	15.25	18.0	MF3-2418	3F3-2418	2F3-2418	125	22	ONE
24	20	30	65.5	12.75	15.25	20.0	MF3-2420	3F3-2420	2F3-2420	137	24	TWO
24	24	30	77.5	14.75	15.25	24.0	MF3-2424	3F3-2424	2F3-2424	149	28	TWO

30" WIDE

30	14	36	47.5	9.75	18.25	14.0	MF3-3014	3F3-3014	2F3-3014	123	21	ONE
30	16	36	53.5	10.75	18.25	16.0	MF3-3016	3F3-3016	2F3-3016	135	23	ONE
30	18	36	59.5	11.75	18.25	18.0	MF3-3018	3F3-3018	2F3-3018	147	26	ONE
30	20	36	65.5	12.75	18.25	20.0	MF3-3020	3F3-3020	2F3-3020	159	29	TWO
30	24	36	77.5	14.75	18.25	24.0	MF3-3024	3F3-3024	2F3-3024	175	34	TWO