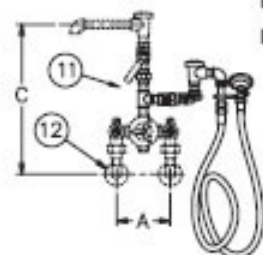


Note: Electrical requirements are 8 Amps / 115 Volts/ 60Hz/ 3 Pole GFI Receptacle.

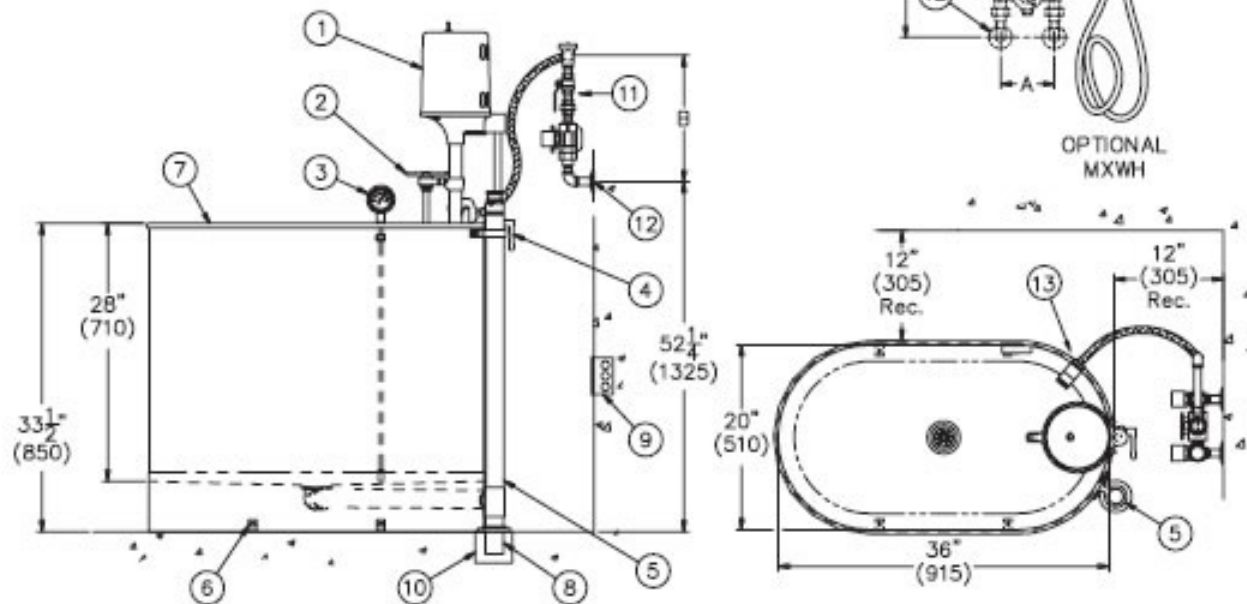


| VALVE | INLETS | OUTLET | DIM A | DIM B | DIM C |
|------------------|----------|----------|-----------------|------------------|--------------|
| MXT1 (15 GPM) | 1/2" NPT | 1/2" NPT | 8-1/2" (215) | 13-3/4" (350) | 18" (455) |
| MXT2 (25 GPM) | 3/4" NPT | 3/4" NPT | 9-1/2" (240) | 13-1/2" (345) | 17" (430) |

All dimension figures in parentheses are in millimeters.



OPTIONAL
MXWH



STATIONARY H-60-S SERIES WHIRLPOOL

NOTES:

- | | | |
|---|-------------------------------------|---|
| 1. 1/2 hp Jet Pump Motor. | 6. "L" Brackets -Four Each. | 10. Floor Drain by Others. |
| 2. Variable Pressure Control. | 7. Stainless Steel Tank. | 11. Optional Thermostatic Mixing Valve with Vacuum Breaker. |
| 3. Thermometer. | 8. 2" O.D. x 5" Tail Piece. | 12. H & C Water Inlets by Others. |
| 4. Turbine Raising & Lowering Device. | 9. 3 Pole GFI Receptacle by Others. | 13. Filler Spout. |
| 5. Combination Drain & Overflow Assembly. | | |