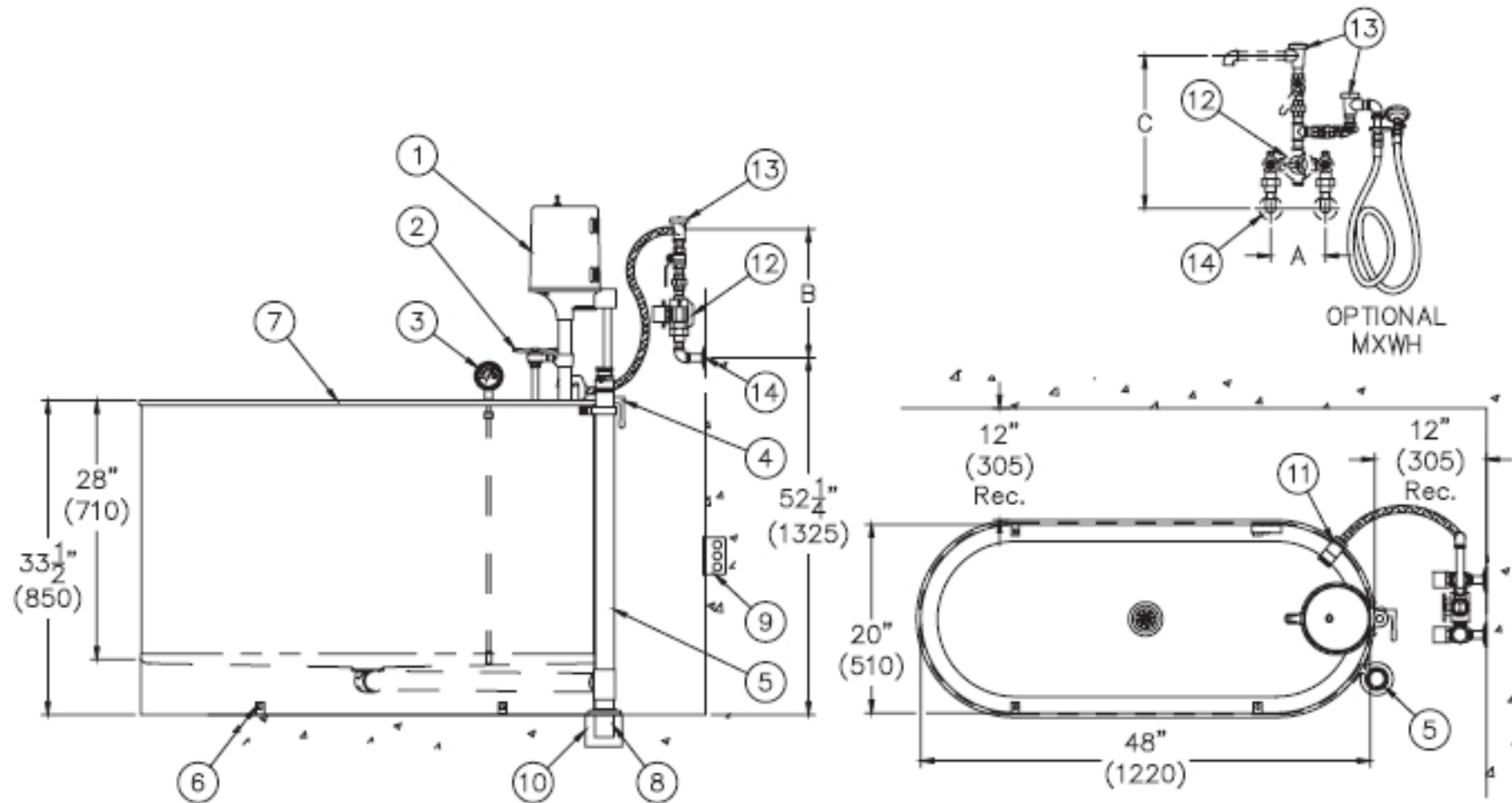


Note: Electrical requirements are 8 Amps / 115 Volts/ 60Hz/ 3 Pole GFI Receptacle.



All dimension figures in parentheses are in millimeters.

VALVE	INLETS	OUTLET	DIM A	DIM B	DIM C
MXT1 (15 GPM)	1/2" NPT	1/2" NPT	8-1/2" (215)	13-3/4" (350)	18" (455)
MXT2 (25 GPM)	3/4" NPT	3/4" NPT	9-1/2" (240)	13-1/2" (345)	17" (430)



STATIONARY H-90-S SERIES WHIRLPOOL

NOTES:

- | | | |
|---|-------------------------------------|---|
| 1. 1/2" hp Jet Pump Motor. | 6. "L" Brackets -Four Each. | 10. Floor Drain by Others. |
| 2. Variable Pressure Control. | 7. Stainless Steel Tank. | 11. Filler Spout. |
| 3. Thermometer. | 8. 2" O.D. x 5" Tail Piece. | 12. Optional Thermostatic Mixing Valve. Must Specify. |
| 4. Turbine Raising & Lowering Device. | 9. 3 Pole GFI Receptacle by Others. | 13. Mixing Valve Vacuum Breaker. |
| 5. Combination Drain & Overflow Assembly. | | 14. Mixing Valve Supply Inlets. |