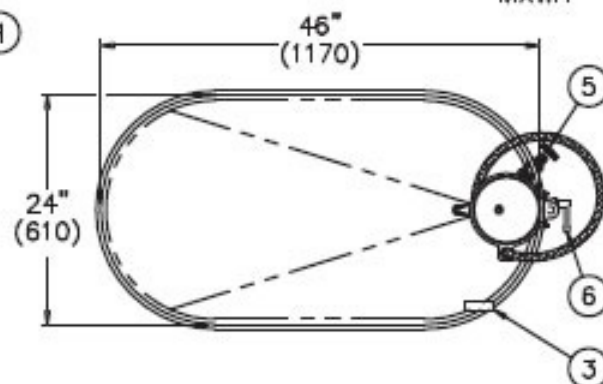
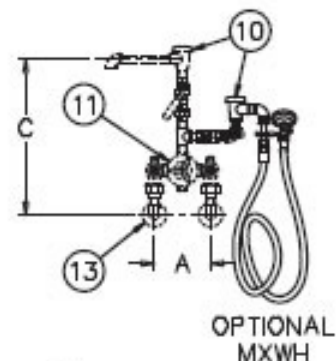
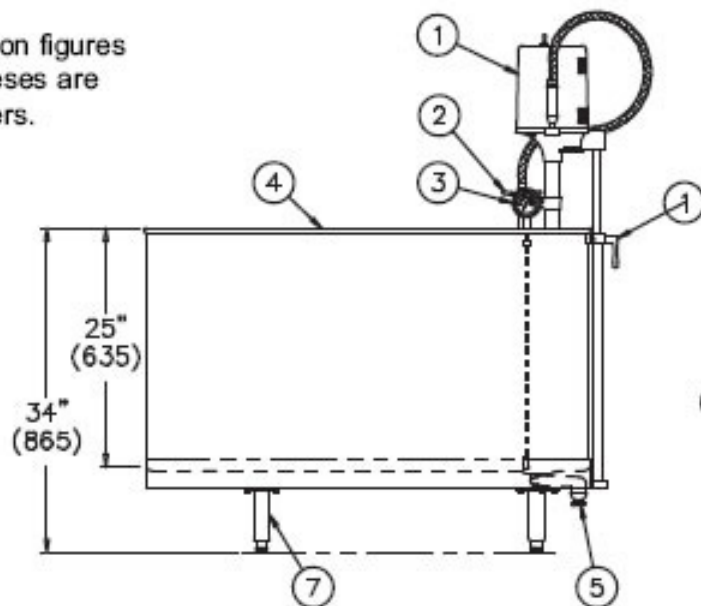


Note: Electrical requirements are 8 Amps / 115 Volts/ 60Hz/ 3 Pole GFI Receptacle.



VALVE	INLETS	OUTLET	DIM A	DIM B	DIM C
MXT1 (15 GPM)	1/2" NPT	1/2" NPT	8-1/2" (215)	13-3/4" (350)	18" (455)
MXT2 (25 GPM)	3/4" NPT	3/4" NPT	9-1/2" (240)	13-1/2" (345)	17" (430)

All dimension figures in parentheses are in millimeters.



STATIONARY S-90-SL SERIES WHIRLPOOL

NOTE:

- 1. 1/2 hp Jet Pump Motor.
- 2. Variable Pressure Control.
- 3. Thermometer.
- 4. Stainless Steel Tank.

- 5. Auxiliary Drain Valve.
- 6. Turbine Raising & Lowering Device.
- 7. Adjustable Stainless Steel Legs.