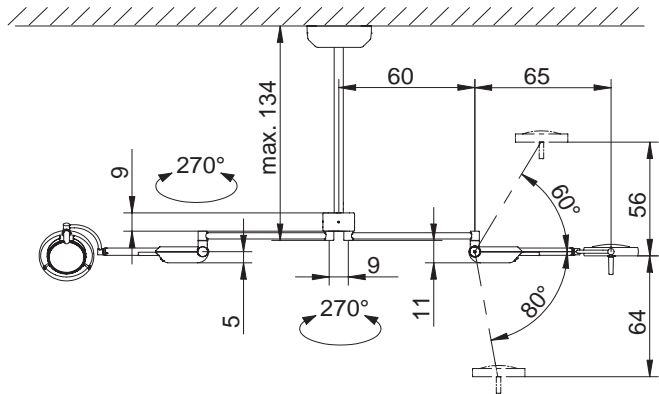
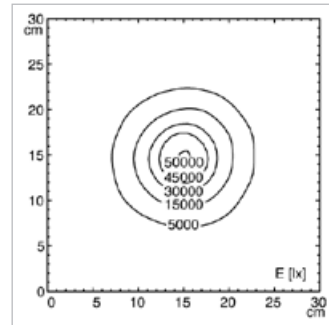
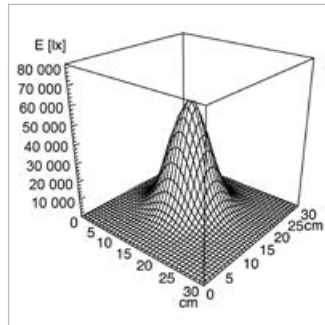


Technical Drawing



Light Distribution



Photometric data -10% / +20% tolerance