

LED Ultra Modern Hospital Vanity Light

Item# XNS1D03XVVNAFX

Features:

- Stylish, geometric design can be mounted vertically or horizontally
- Shallow width is ideal for mounting in areas where space is limited
- Use in hallways, corridors, bath or restrooms
- Mounts to standard junction box (not included)

Construction:

- Housing is die-formed from 22-gauge steel and is provided with standard mounting holes and wiring access
- Chrome or white ends are die-formed 20-gauge steel

Finish:

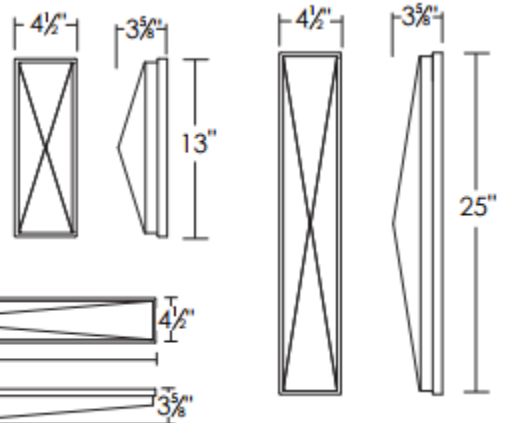
- Plated satin nickel finish with clear top coat

Diffuser:

- White acrylic

Electrical:

- Direct wired with a constant current low voltage electronic LED driver rated at 120 VAC
- Driver is dimmable down to 10percent of full scale with a 2-wire (Triac) or electronic low voltage (ELV) dimmer switch



Certification:

- All fixtures are cULus listed for damp locations.

Warranty:

- 5 Year Limited Factory Warranty

Ordering Specifications:

Satin Nickel	LED	Source Lumens	CCT	H	W	D
NS1D03L0021315SVNAFX	15.5W	1200	3000K	13"	4-1/2"	3-5/8"
NS1D030042525VVNAFX	31W	2400	3000K	25"	4-1/2"	3-5/8"
NS1D030063735VVNAFX	46.5W	3600	3000K	37"	4-1/2"	3-5/8"
NS1D03L0084945VVNAFX	62W	4800	3000K	49"	4-1/2"	3-5/8"



Toll Free 1.877.706.4480 | Local/ International 713.706.4480 | Fax 713.706.4161
www.MSEC.co