

# Patient Recliner / Sleeper Loveseat

Item# SRS725CHM

## Features:

- Nine positions
- Independent operations for both sides
- Steel and wood construction
- Caster wheels (rear locking)

## Specifications:

- Seat Height/Width: 19in/50in
- Seat Depth: 21in
- Arm Width: 2.5in
- Optional Oak Armrests: 3in
- Overall Height: 42in
- Overall Width: 61in
- Sleep Length: 74in
- Weight Capacity: 300 lbs. each side, 600 lbs. total

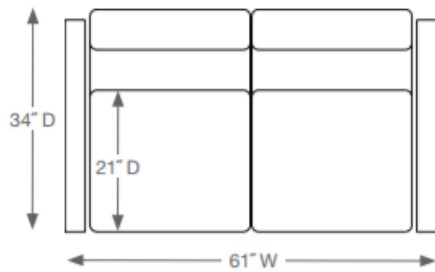


## Standard Color Options:

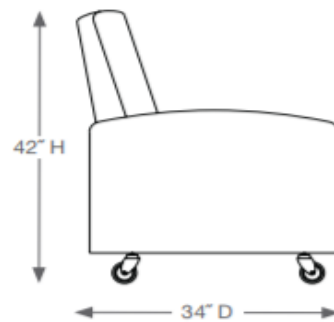
### STANDARD VINYL SELECTION



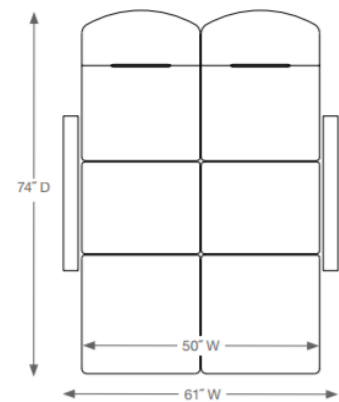
TOP VIEW



SIDE VIEW



TOP VIEW (EXTENDED)



713-706-4480 Office / 713-706-4161 Fax

[www.msec.co](http://www.msec.co)